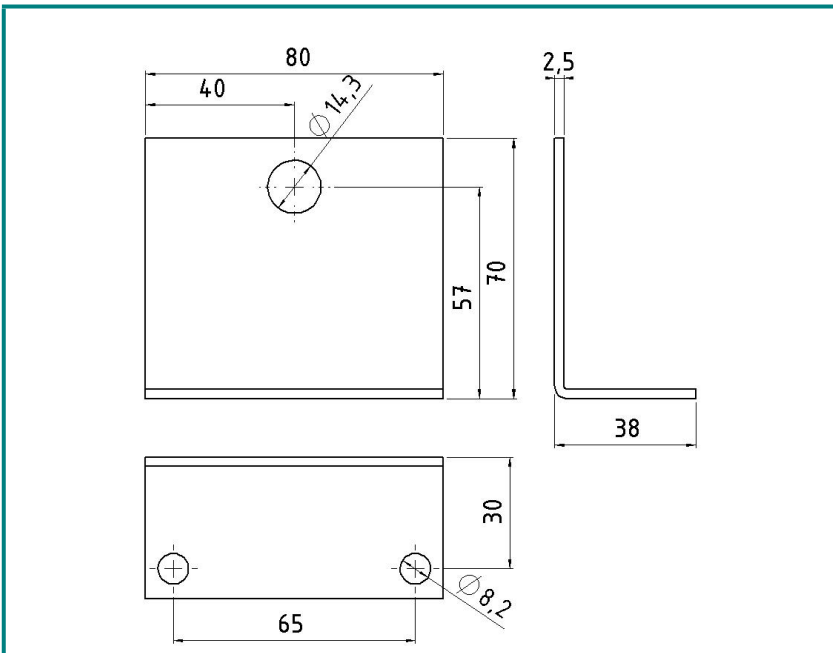


Wall mounting bracket for FHR 3 and FHR 4 regulator



The wall mounting bracket with the corresponding housing nut assures the secure mounting of the pressure regulator FHR 3 and FHR 4.

Order-No. B1060/50

Consists of:

Quantity	Article
1	Bracket (zinc plated)
1	Nut

Hornung Quality standard

The company Hornung is certified to **DIN EN ISO 9001 and ISO 14001:2009.**

All single parts are manufactured, assembled and tested in house.

The finished parts are therefore under the criteria of our exact quality control with 100% final control.